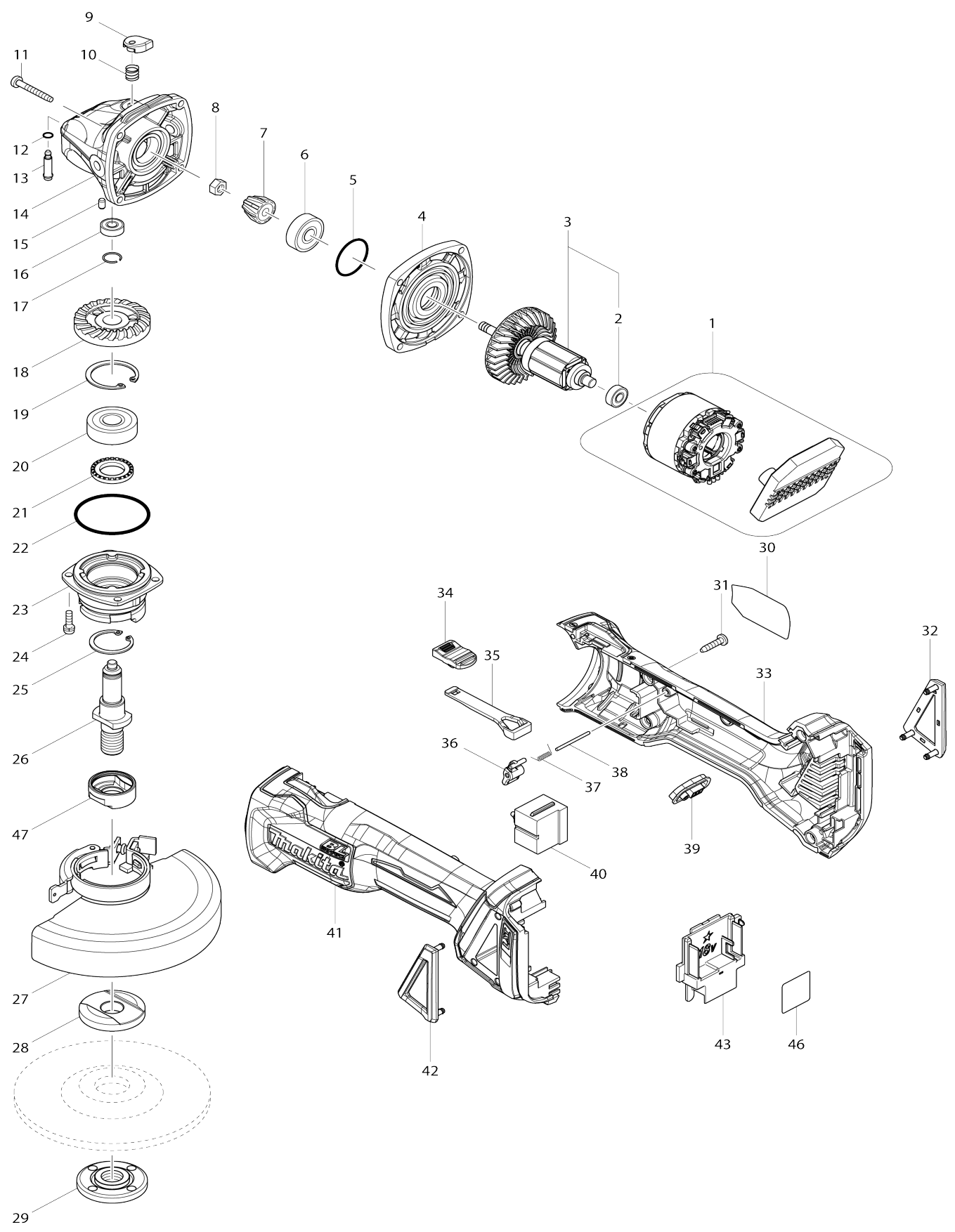


Model No.DGA506 125MM CORDLESS ANGLE GRINDER



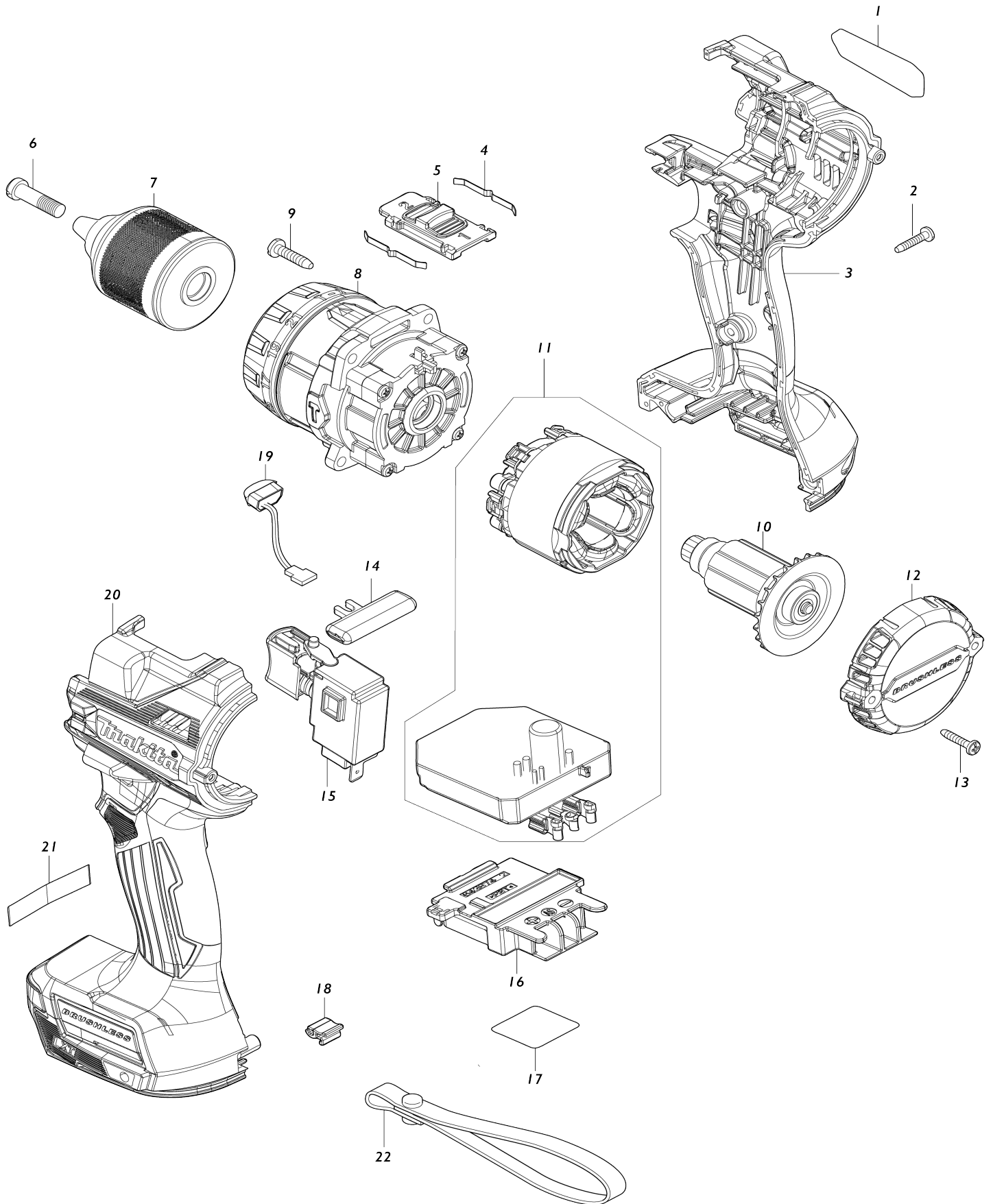
Model No.DGA506 125MM CORDLESS ANGLE GRINDER

Item No.	Parts No.	Description
001	629201-7	STATOR COMPLETE
001-1	629B61-9	STATOR
001-1	629B61-9	STATOR
002	210034-7	BALL BEARING 607LLB
002-1	210169-4	BALL BEARING 607LLB
002-1	210169-4	BALL BEARING 607LLB
003	519378-5	ROTOR ASS'Y
003		INC. 2
003-1	510329-1	ROTOR ASS'Y
003-1		INC. 2
003-2	510329-1	ROTOR ASS'Y
003-2		INC. 2
003-3	510329-1	ROTOR ASS'Y
003-3		INC. 2
003-3	510329-1	ROTOR ASS'Y
003-3		INC. 2
004	319214-3	GEAR HOUSING COVER
005	213445-5	O-RING 26
005-1	213407-3	O RING 26
005-1	213407-3	O RING 26
006	210042-8	BALL BEARING 629LLB
007	227541-3	SPIRAL BEVEL GEAR 10
007-1	226861-2	SPIRAL BEVEL GEAR 10
007-1	226861-2	SPIRAL BEVEL GEAR 10
008	252186-8	HEX. NUT M6
009	417771-6	PIN CAP
010	233072-2	COMPRESSION SPRING 8
010-1	233376-2	COMPRESSION SPRING 8
010-1 G	233376-2	COMPRESSION SPRING 8
011	266361-0	TAPPING SCREW 4X30
011-1	265B70-0	TAPPING SCREW 4X30
011-1	265B70-0	TAPPING SCREW 4X30
012	213960-9	O RING 5
013	256546-6	SHOULDER PIN 4
014	319213-5	GEAR HOUSING
015	263002-9	RUBBER PIN 4
016	210033-9	BALL BEARING 696ZZ
017	233950-6	RING SPRING 11
018	227641-9	SPIRAL BEVEL GEAR 37
018-1	226862-0	SPIRAL BEVEL GEAR 37
018-1	226862-0	SPIRAL BEVEL GEAR 37
019	962151-6	RETAINING RING R-32
020	211129-9	BALL BEARING 6201DDW
021	262153-5	FELT RING 16
022	213622-9	O RING 45
023	319399-5	BEARING BOX
024	911121-2	PAN HEAD SCREW M4X14

025	962105-3	RETAINING RING R-26
026	326672-6	SPINDLE
027	123145-8	TOOLLESS WHEELCOVER 125AK ASSY
C10	213009-5	O RING 4
C20	265180-1	PAN HEAD SCREW M5X16
027-1	141P36-7	TOOLLESS WHEEL COVER 125AK CMP
C10	213009-5	O RING 4
C20	265180-1	PAN HEAD SCREW M5X16
C30	8050A1-8	CAUTION LABEL
027-1	141P36-7	TOOLLESS WHEEL COVER 125AK CMP
C20	265180-1	PAN HEAD SCREW M5X16
C30	8050A1-8	CAUTION LABEL
028	224447-6	INNER FLANGE 42B
029	224554-5	LOCK NUT 14-45
030	851Y86-5	DGA506 NAME PLATE
031	266326-2	TAPPING SCREW 4X18
031-1	265B67-9	TAPPING SCREW 4X18
031-1	265B67-9	TAPPING SCREW 4X18
032	455450-8	DUST COVER R
033	187998-9	MOTOR HOUSING SET
C10	263005-3	RUBBER PIN 6
033		INC. 41
033-1	183J39-9	MOTOR HOUSING SET
C10	263005-3	RUBBER PIN 6
033-1		INC. 41
033-1	183J39-9	MOTOR HOUSING SET
C10	263005-3	RUBBER PIN 6
033-1		INC. 41
034	455447-7	SWITCH KNOB
035	455446-9	SWITCH LEVER
036	455448-5	LEVER
037	231679-8	TORSION SPRING 2
038	268330-7	PIN 2
039	142901-7	INDICATOR PANEL COMPLETE
040	650579-7	SWITCH 1246.3223
040-1	650579-7	SWITCH 1246.3223
041	187998-9	MOTOR HOUSING SET
C10	263005-3	RUBBER PIN 6
041		INC. 33
041-1	183J39-9	MOTOR HOUSING SET
C10	263005-3	RUBBER PIN 6
041-1		INC. 33
041-1	183J39-9	MOTOR HOUSING SET
C10	263005-3	RUBBER PIN 6
041-1		INC. 33
042	455449-3	DUST COVER L
043	643899-6	TERMINAL
046	851Y94-6	DGA506 SERIAL NO. LABEL
047	310514-4	LEAD FLANGE

048	620L30-3	CONTROLLER
048	620L30-3	CONTROLLER
049	652119-7	PAN HEAD SCREW M2X6
049	652119-7	PAN HEAD SCREW M2X6
A01	A-80656	GRINDING WHEEL 125 WA36N
A02	158237-4	GRIP 36 COMPLETE
A03	782423-1	LOCK NUT WRENCH 35
A04	***DC18RC	DC18RC FAST CHARGER
A04		COMPO-PARTS
A05B	194204-5	BATTERY BL1830 SET
A05C	197265-4	BATTERY BL1840B SET
A05D	197280-8	BATTERY BL1850B SET
A05-1 B	197600-6	BATTERY BL1830B SET
A05-1 C	197265-4	BATTERY BL1840B SET
A05-1 D	197280-8	BATTERY BL1850B SET
A05-1 F	197280-8	BATTERY BL1850B SET
A05-2 B	197600-6	BATTERY BL1830B SET
A06	450128-8	BATTERY COVER
A07	821636-0	PLASTIC CASE
C10	162315-4	LATCH
A07-1	821734-0	PLASTIC CASE
C10	162315-4	LATCH
A07-2	821817-6	PLASTIC CASE
C10	162315-4	LATCH
A07-2	821551-8	CONNECTOR PLASTIC CASE (TYPE3)
C10	453974-8	LATCH
A08	838175-3	INNER TRAY
A13	199710-5	CUTTING W.C.A. 125 SET
A13	199710-5	CUTTING W.C.A. 125 SET
F02-1	194514-0	VIBRATION PROOF GRIP SET
F02-1	194514-0	VIBRATION PROOF GRIP SET
F15-1	197423-2	BATTERY BL1860B SET
F15-1	197423-2	BATTERY BL1860B SET
F16-1	197428-2	BATTERY BL1860B SET (2PIECES)
F16-1	197428-2	BATTERY BL1860B SET (2PIECES)
F23	191W06-8	115/125MM DUST COVER K SET
C10	743129-6	BRUSH A
C20	743130-1	BRUSH B
F23	191W06-8	115/125MM DUST COVER K SET
C10	743129-6	BRUSH A
C20	743130-1	BRUSH B

Model No.DHP486 CORDLESS HAMMER DRIVER DRILL



Model No.DHP486 CORDLESS HAMMER DRIVER DRILL

Item No.	Parts No.	Description
001	811B29-1	DHP486 NAME PLATE
002	266130-9	TAPPING SCREW BIND PT 3X16
003	183R83-4	HOUSING SET
C10	263005-3	RUBBER PIN 6
C20	252126-6	HEX. LOCK NUT M4-7
003		INC. 20
004	232220-0	LEAF SPRING
005	127494-5	SPEED CHANGE LEVER ASSEMBLY
C10	233438-6	COMPRESSION SPRING 4
006	251468-5	- FLAT HEAD SCREW M6X22
007	763252-1	KEYLESS DRILL CHUCK 13
008	127698-9	GEAR ASSEMBLY
008-1	122A92-6	GEAR ASSEMBLY
008-2	122B68-9	GEAR ASSEMBLY
008-3	122D48-7	GEAR ASSEMBLY
008-4	122H10-6	GEAR ASSEMBLY
009	266326-2	TAPPING SCREW 4X18
009-1	265B67-9	TAPPING SCREW 4X18
010	619656-4	ROTOR
010-1	619656-4	ROTOR
011	629A33-8	STATOR COMPLETE
011-1	629B79-0	STATOR COMPLETE
011-2	629C05-5	STATOR COMPLETE
011-3	629C97-4	STATOR COMPLETE
011-4	629D26-3	STATOR COMPLETE
011-5	629D46-7	STATOR COMPLETE
012	413405-9	REAR COVER
013	266130-9	TAPPING SCREW BIND PT 3X16
014	419041-9	F/R CHANGE LEVER
015	651443-5	SWITCH C3JR-4B
016	643874-2	TERMINAL
017	811B36-4	DHP486 SERIAL NO. LABEL
018	424517-3	CUSHION
019	620549-0	LED CIRCUIT
020	183R83-4	HOUSING SET
C10	263005-3	RUBBER PIN 6
C20	252126-6	HEX. LOCK NUT M4-7
020		INC. 3
A01	122576-8	STOPPER POLE ASS'Y
A02	127701-6	GRIP ASSEMBLY
C10	140U91-6	POLE COMPLETE
C20	140X19-2	ARM R COMPLETE
C30	265785-7	THUMB SCREW M5X10
C40	266886-4	HEX. BOLT M8X65
C50	312A63-3	ARM L
C60	931202-6	HEX. NUT M5
C70	962055-2	RETAINING RING (INT) R-15

A02-1	122C01-7	GRIP ASSEMBLY
C10	140U91-6	POLE COMPLETE
C20	140X19-2	ARM R COMPLETE
C30	265785-7	THUMB SCREW M5X10
C40	266886-4	HEX. BOLT M8X65
C50	312C73-2	ARM L
C60	931202-6	HEX. NUT M5
C70	962055-2	RETAINING RING (INT) R-15
A02-2	122D10-2	GRIP ASSEMBLY
C10	140U91-6	POLE COMPLETE
C20	140X19-2	ARM R COMPLETE
C30	265C34-0	THUMB SCREW M5X10
C40	266886-4	HEX. BOLT M8X65
C50	312C73-2	ARM L
C60	931202-6	HEX. NUT M5
C70	962055-2	RETAINING RING (INT) R-15
A02-3	122F12-0	GRIP ASSEMBLY
C10	141R99-5	POLE COMPLETE
C20	140X19-2	ARM R COMPLETE
C30	265C34-0	THUMB SCREW M5X10
C40	266886-4	HEX. BOLT M8X65
C50	312C73-2	ARM L
C60	931202-6	HEX. NUT M5
C70	962055-2	RETAINING RING (INT) R-15
A03	251314-2	+ TRUSS HEAD SCREW M4X12
A04	346317-0	HOOK
A05	452947-8	BIT HOLDER
A06	784637-8	+ - BIT 2-45
A07B	821550-0	CONNECTOR PLASTIC CASE (TYP E2)
C10	453974-8	LATCH
A08B	837916-4	INNER TRAY
A09B	8030X6-3	DHP486RTJ INDICATION LABEL
A10B	8030X7-1	DHP486RTJ PLASTIC CASE LABEL
A11B	450128-8	BATTERY COVER
A12B	197280-8	BATTERY BL1850B SET
A13B	***DC18RC	DC18RC FAST CHARGER